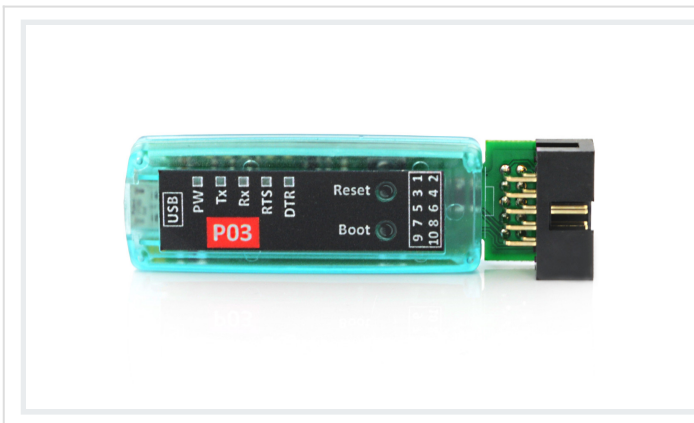


USB FTDI ESP32 Programmer Data Sheet

USB RS232 RS485 Converters (P03)

ESP32 USB Programmer for P01 and P02 Open IoT and IIoT Gateways. It can be used to connect a gateway to a PC via a microUSB and a TAG-Connect cable.

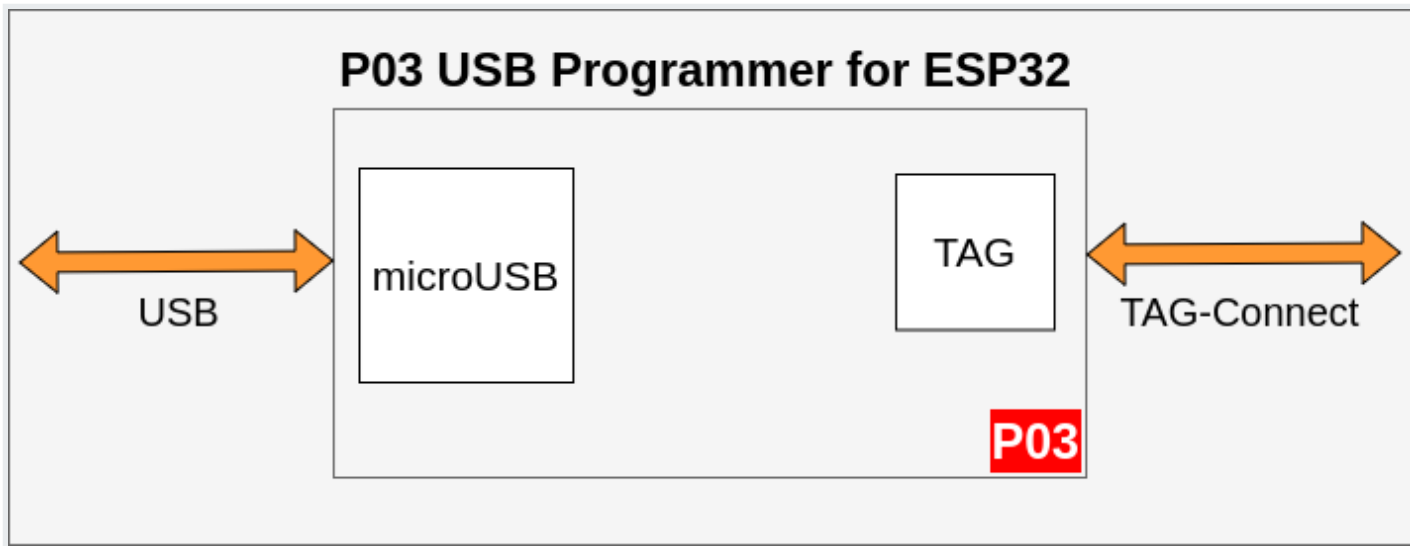


Features

- USB to TAG-Connect converter
- ESD protection
- Tx, Rx, RTS, DTR and power LED indicators
- Operating temperatures: -40°C to +75°C
- Compact size
- 3 years warranty
- Customization of OEM is welcomed

Variants

P03 USB Programmer for ESP32

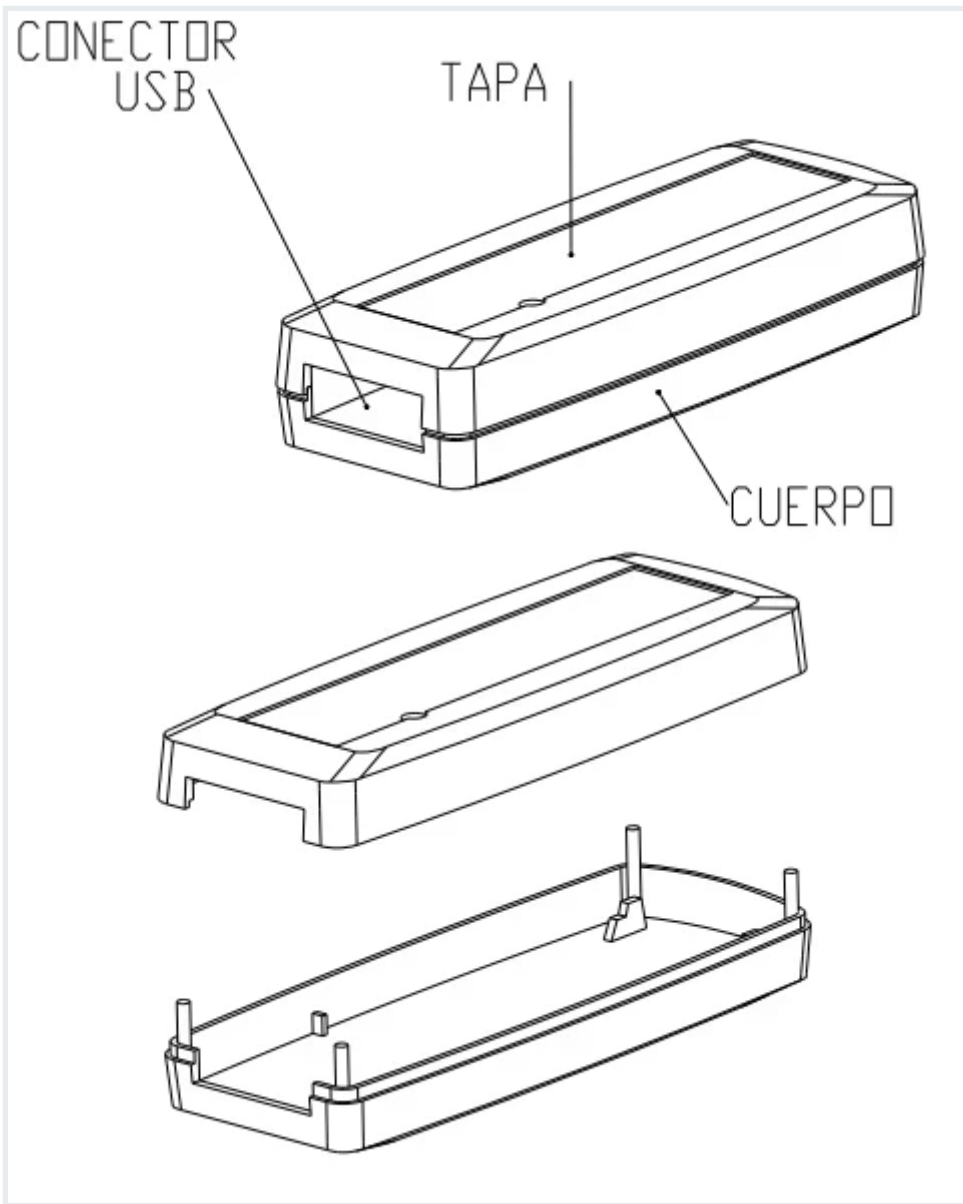


Enclosure dimensions

Compact USB Enclosure

55.4 x 20.3 x 11.85

Units: mm



Additional notes

Related information and links

[Ordering information](#)

[Accessories](#)

[Similar products](#)

Products family sample photo



<https://redisage.com>

DISCLAIMER NOTES

ALL PRODUCT, PRODUCT SPECIFICATIONS AND DATA ARE SUBJECT TO CHANGE WITHOUT NOTICE TO IMPROVE RELIABILITY, FUNCTION OR DESIGN OR OTHERWISE.

Datasheet-ID:

SR-D

Revision #9

Created 15 May 2024 12:52:04

Updated 26 July 2024 14:39:07