

# USB FTDI Converters Data Sheet

## USB RS232 RS485 Converters (C37 & C38)

C37(EX) C38(EX)



### Features

- USB to UART or RS232/RS485 converter
- ESD protection for the RS485 data line
- Transmission speed up to 115200 bps
- Tx, Rx and power LED indicators
- Operating temperatures: -40°C to +75°C
- Compact size
- Dimensions: 55.4x20.3x11.85 mm
- 3 years warranty
- Customization of OEM is welcomed

## Specifications

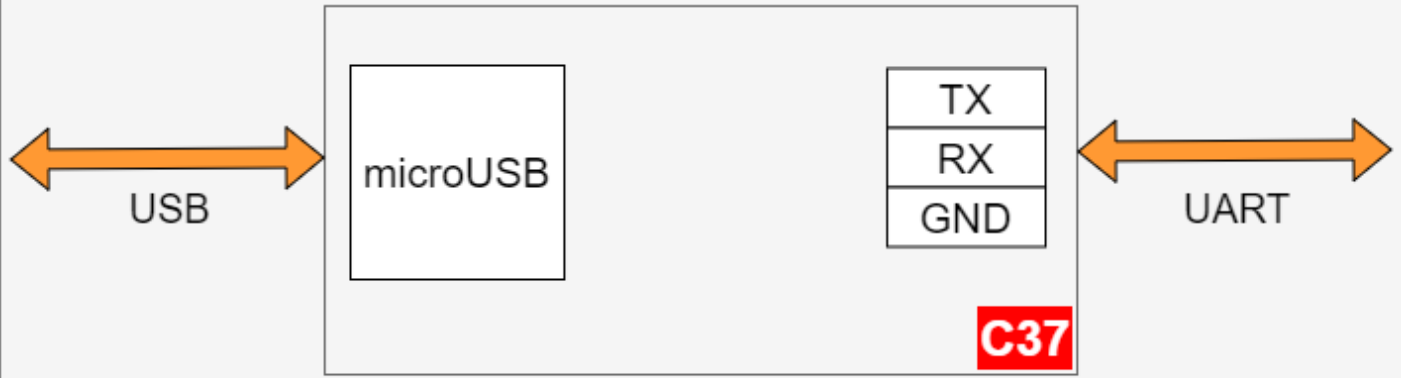
Redisage PN	C37	C38
Ports	UART	RS232/RS485
Expanders	<b>C37EX</b> USB-A adapter for UART	<b>C38EX</b> DSUB-A adapter for RS232
Power	< 1 W	
Frame ground protection	no	

Redisage PN		C37	C38
Baud rate		up to 115200 bps	
LED indicators		communication Tx, Rx and power	
RS485 termination		120 ohm Manually Enabled	
Connector	RS232/UART	3-pin terminal block max. 2.5 mm <sup>2</sup> wire	
	RS485	N/A	2-pin terminal block max. 2.5 mm <sup>2</sup> wire
Transmission distance	RS232/UART	max. 15 m at 115.2 kbps	
	RS485	N/A	max. 1,200 m at 9.6 kbps; max. 400 m at 115.2 kbps (Belden 9841 2P twisted-pair cable, if different cables are used, the transmission distance may change)
Mounting and enclosure		DIN rail, plastic PA - UL 94 V0, black/green	
Temperatures		-40°C to +75°C operating and storage	
Humidity		10 - 90% RH, non-condensing	
ESD protection		±4 kV contact discharge / ±8 kV air discharge	
Certification		CE, RoHS	

## Variants

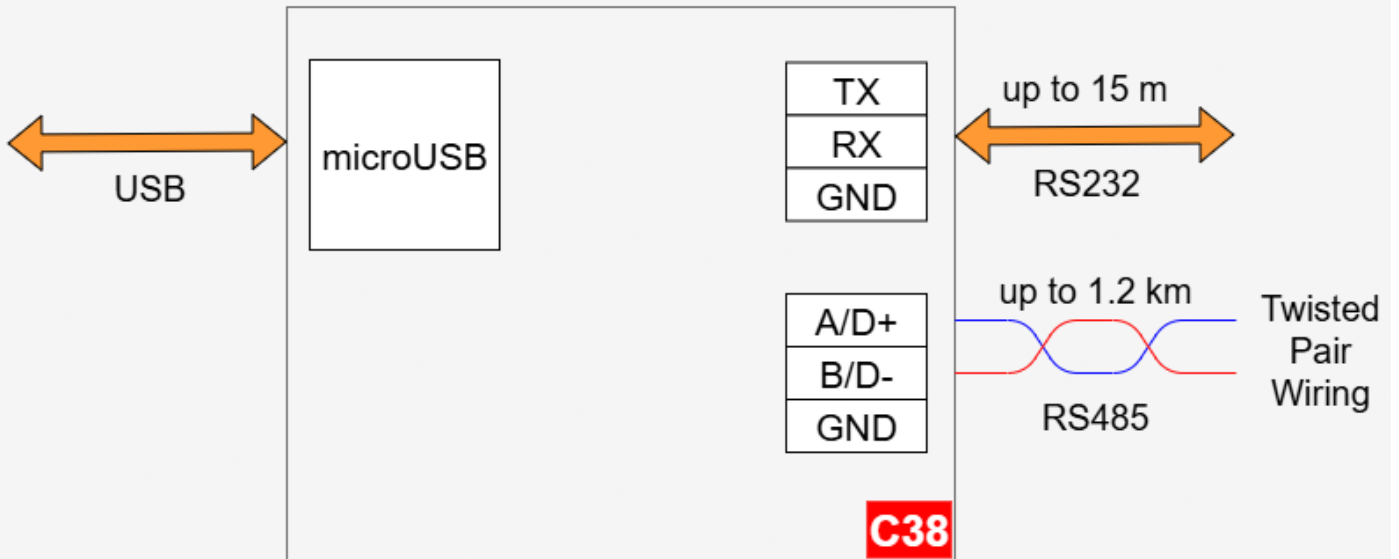
### C37 - UART 3V3 USB FTDI Converter

### C37 UART 3V3 USB FTDI Converter

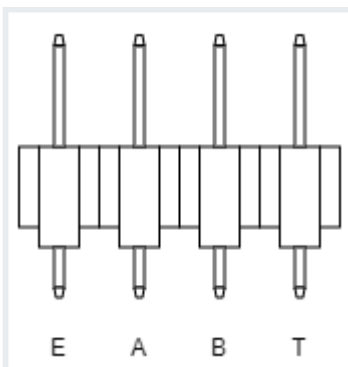


### C38 - RS232/RS485 USB FTDI Converter

#### C38 RS232/RS485 3V3 USB FTDI Converter



## Jumpers



Jumper name	C38 jumpers
<b>E</b>	Echo Disable
<b>A</b>	Pull Up 523 ohm - A Line (RS485)
<b>B</b>	Pull Down 523 ohm - B Line (RS485)
<b>T</b>	120 ohm Termination

## Pin assignments

Pin No.	C37	C38
1	NC	Tx RS232
2	VCC 3V3	Rx RS232
3	GND	GND
4	Tx UART 3V3	A RS485
5	Rx UART 3V3	B RS485

## Accessories

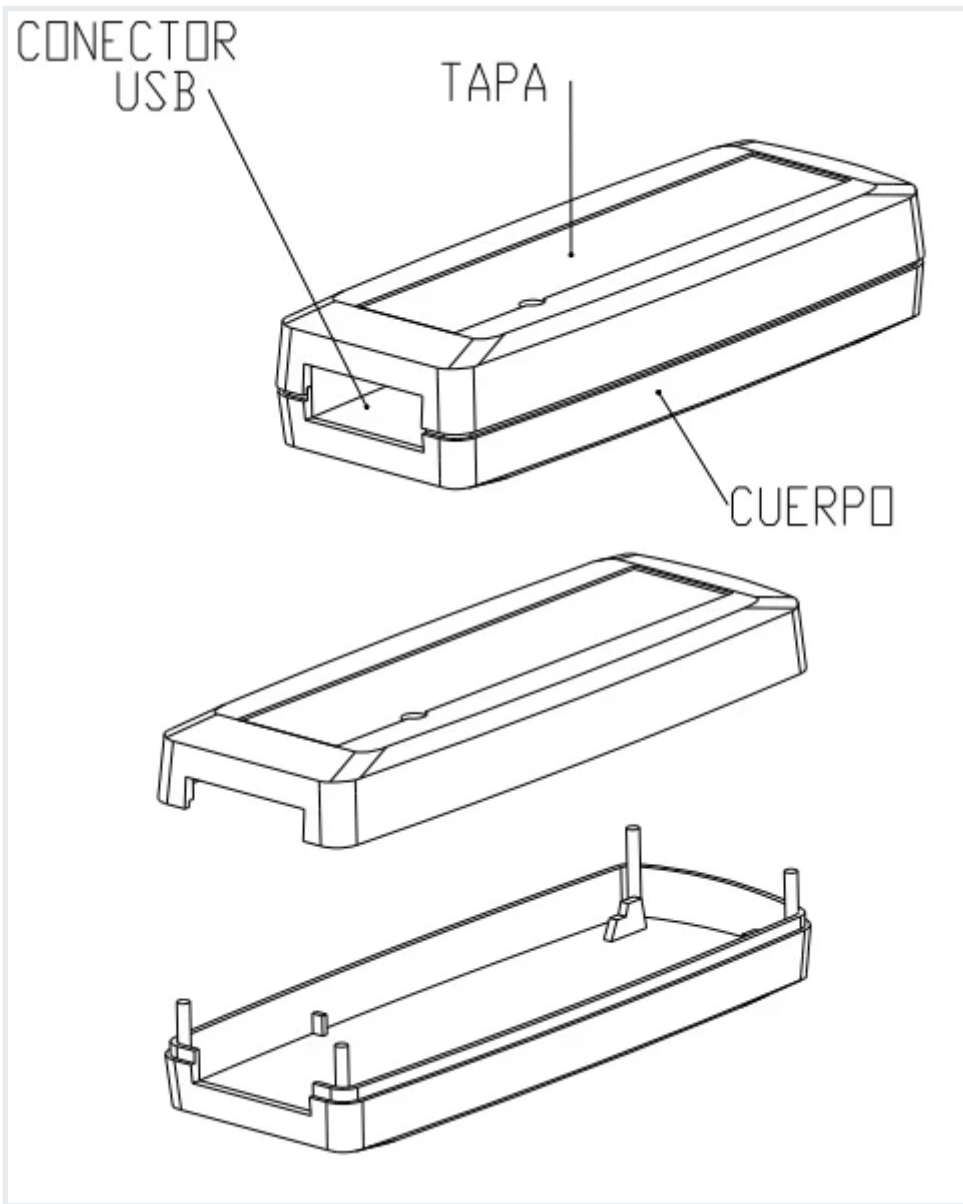
C37(EX)	C38(EX)
	

## Enclosure dimensions

Compact USB Enclosure

55.4 x 20.3 x 11.85

Units: mm



## Additional notes

### Related information and links

[Ordering information](#)

[Accessories](#)

[Similar products](#)

## Products family sample photo



<https://redisage.com>

## **DISCLAIMER NOTES**

ALL PRODUCT, PRODUCT SPECIFICATIONS AND DATA ARE SUBJECT TO CHANGE WITHOUT NOTICE TO IMPROVE RELIABILITY, FUNCTION OR DESIGN OR OTHERWISE.

## Datasheet-ID:

SR-D

---

Revision #16

Created 3 April 2024 08:05:22

Updated 2 September 2025 06:31:16 by Michał Grabski