

USB RS232 RS485 Converters

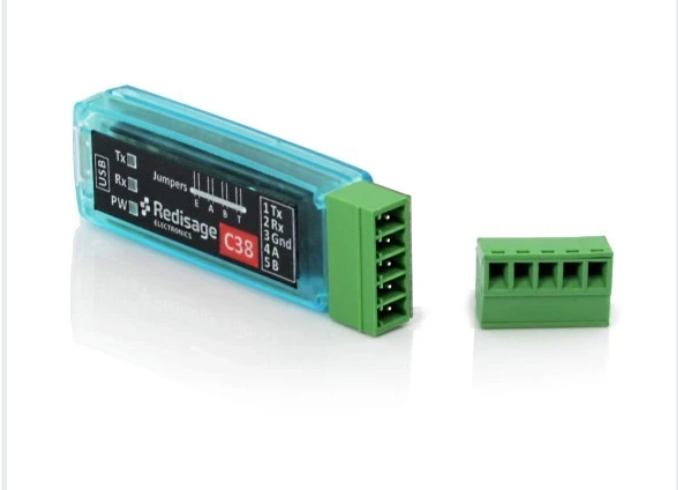
C37, C38 & P03 USB RS232 RS485 Converters documentation

- [Data Sheets](#)
 - [USB FTDI Converters Data Sheet](#)
 - [USB FTDI ESP32 Programmer Data Sheet](#)
- [Contact Us](#)

Data Sheets

USB FTDI Converters Data Sheet

USB RS232 RS485 Converters (C37 & C38)

<p>C37(EX) C38(EX)</p> 	<p>Features</p> <ul style="list-style-type: none"> • USB to UART or RS232/RS485 converter • ESD protection for the RS485 data line • Transmission speed up to 115200 bps • Tx, Rx and power LED indicators • Operating temperatures: -40°C to +75°C • Compact size • Dimensions: 55.4x20.3x11.85 mm • 3 years warranty • Customization of OEM is welcomed
--	---

Specifications

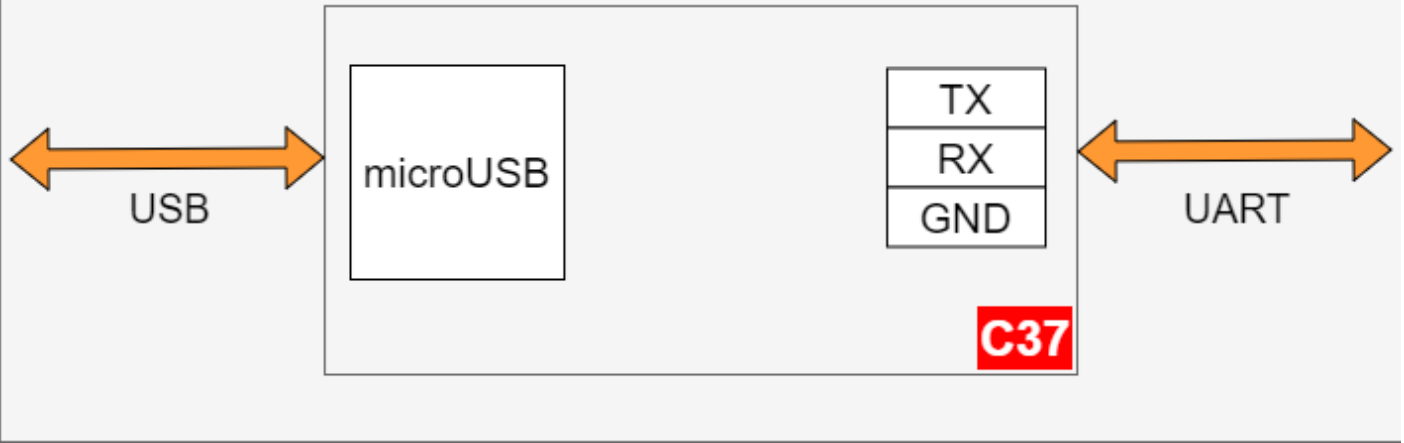
Redisage PN	C37	C38
Ports	UART	RS232/RS485
Expanders	C37EX USB-A adapter for UART	C38EX DSUB-A adapter for RS232
Power	< 1 W	
Frame ground protection	no	

Redisage PN		C37	C38
Baud rate		up to 115200 bps	
LED indicators		communication Tx, Rx and power	
RS485 termination		120 ohm Manually Enabled	
Connector	RS232/UART	3-pin terminal block max. 2.5 mm ² wire	
	RS485	N/A	2-pin terminal block max. 2.5 mm ² wire
Transmission distance	RS232/UART	max. 15 m at 115.2 kbps	
	RS485	N/A	max. 1,200 m at 9.6 kbps; max. 400 m at 115.2 kbps (Belden 9841 2P twisted-pair cable, if different cables are used, the transmission distance may change)
Mounting and enclosure		DIN rail, plastic PA - UL 94 V0, black/green	
Temperatures		-40°C to +75°C operating and storage	
Humidity		10 - 90% RH, non-condensing	
ESD protection		±4 kV contact discharge / ±8 kV air discharge	
Certification		CE, RoHS	

Variants

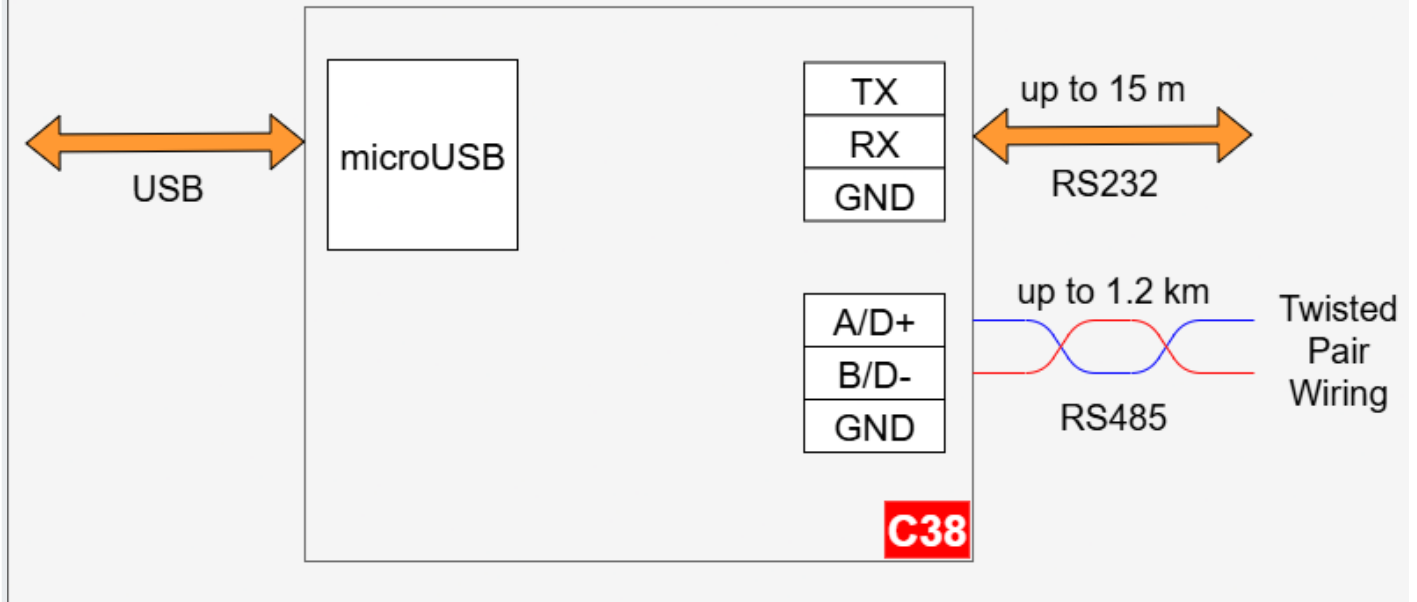
C37 - UART 3V3 USB FTDI Converter

C37 UART 3V3 USB FTDI Converter

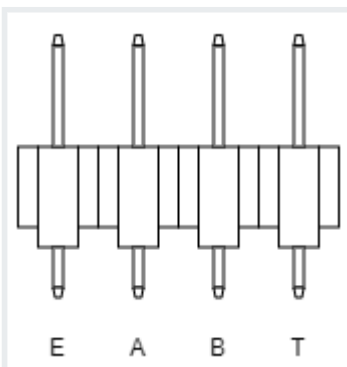


C38 - RS232/RS485 USB FTDI Converter

C38 RS232/RS485 3V3 USB FTDI Converter



Jumpers



Jumper name	C38 jumpers
E	Echo Disable
A	Pull Up 523 ohm - A Line (RS485)
B	Pull Down 523 ohm - B Line (RS485)
T	120 ohm Termination

Pin assignments

Pin No.	C37	C38
1	NC	Tx RS232
2	VCC 3V3	Rx RS232
3	GND	GND
4	Tx UART 3V3	A RS485
5	Rx UART 3V3	B RS485

Accessories

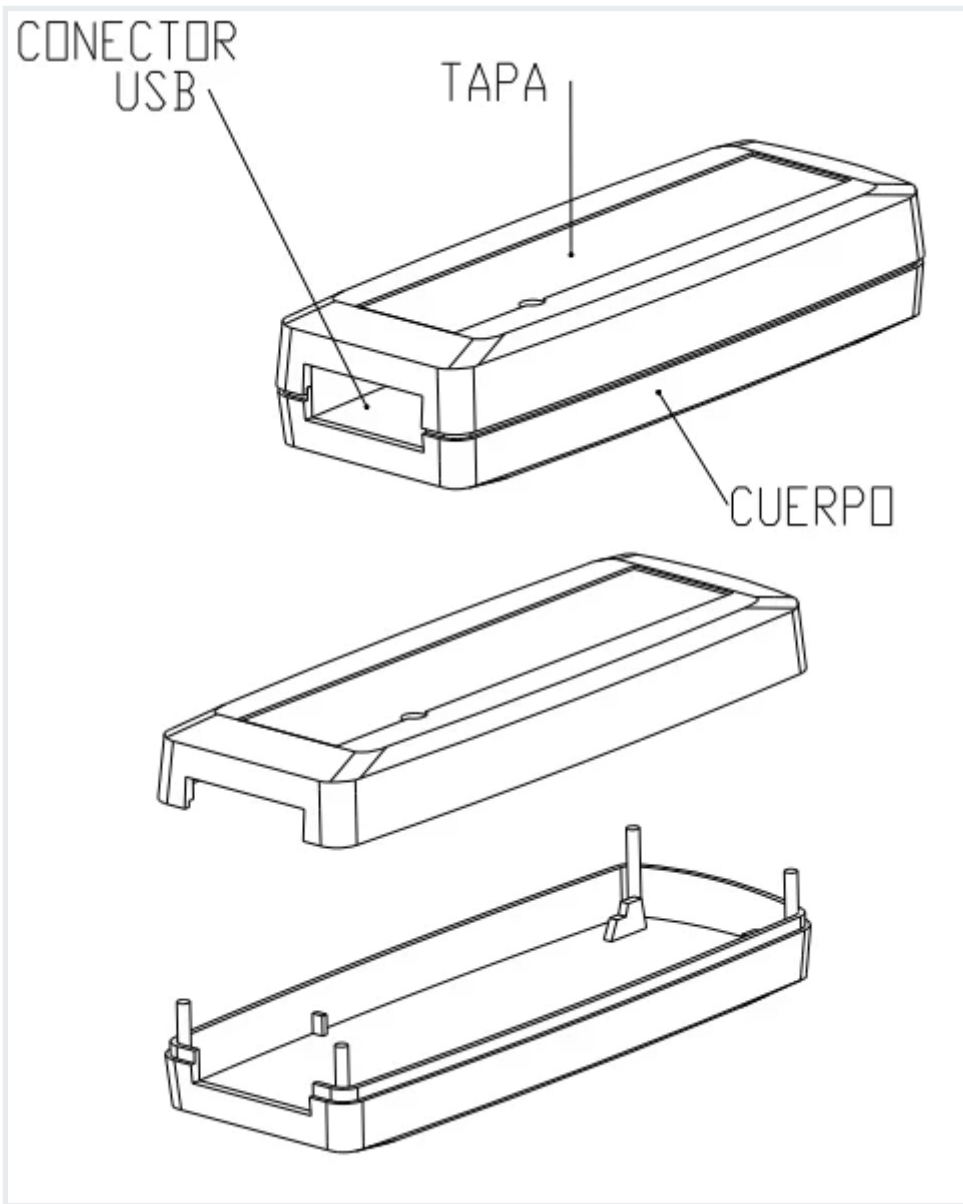
C37(EX)	C38(EX)
	

Enclosure dimensions

Compact USB Enclosure

55.4 x 20.3 x 11.85

Units: mm



Additional notes

Related information and links

[Ordering information](#)

[Accessories](#)

[Similar products](#)

Products family sample photo



<https://redisage.com>

DISCLAIMER NOTES

ALL PRODUCT, PRODUCT SPECIFICATIONS AND DATA ARE SUBJECT TO CHANGE WITHOUT NOTICE TO IMPROVE RELIABILITY, FUNCTION OR DESIGN OR OTHERWISE.

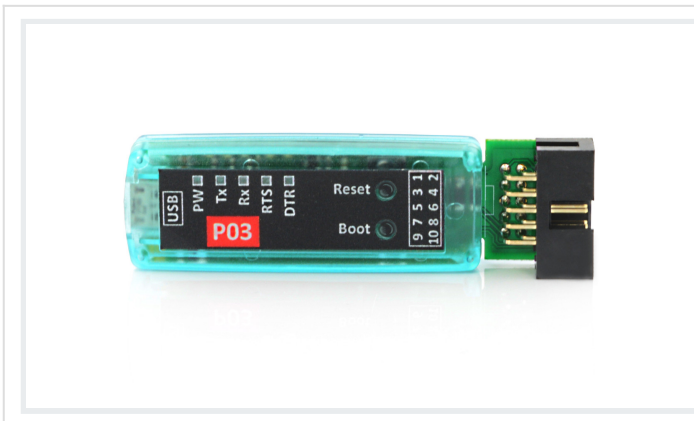
Datasheet-ID:

SR-D

USB FTDI ESP32 Programmer Data Sheet

USB RS232 RS485 Converters (P03)

ESP32 USB Programmer for P01 and P02 Open IoT and IIoT Gateways. It can be used to connect a gateway to a PC via a microUSB and a TAG-Connect cable.

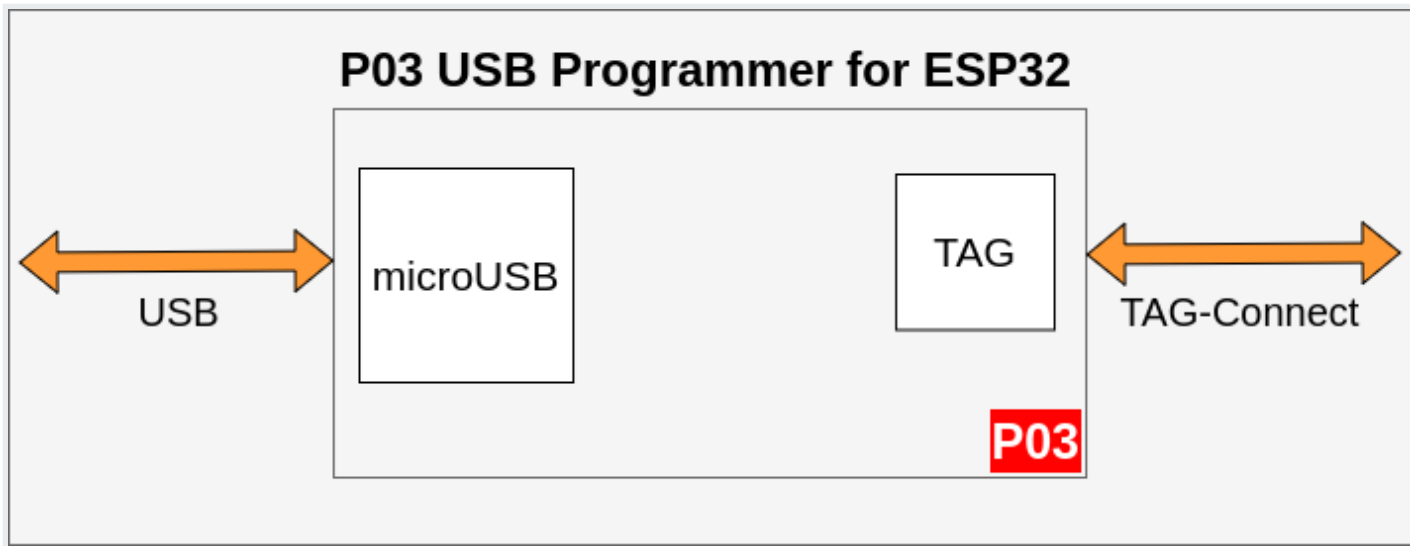


Features

- USB to TAG-Connect converter
- ESD protection
- Tx, Rx, RTS, DTR and power LED indicators
- Operating temperatures: -40°C to +75°C
- Compact size
- 3 years warranty
- Customization of OEM is welcomed

Variants

P03 USB Programmer for ESP32

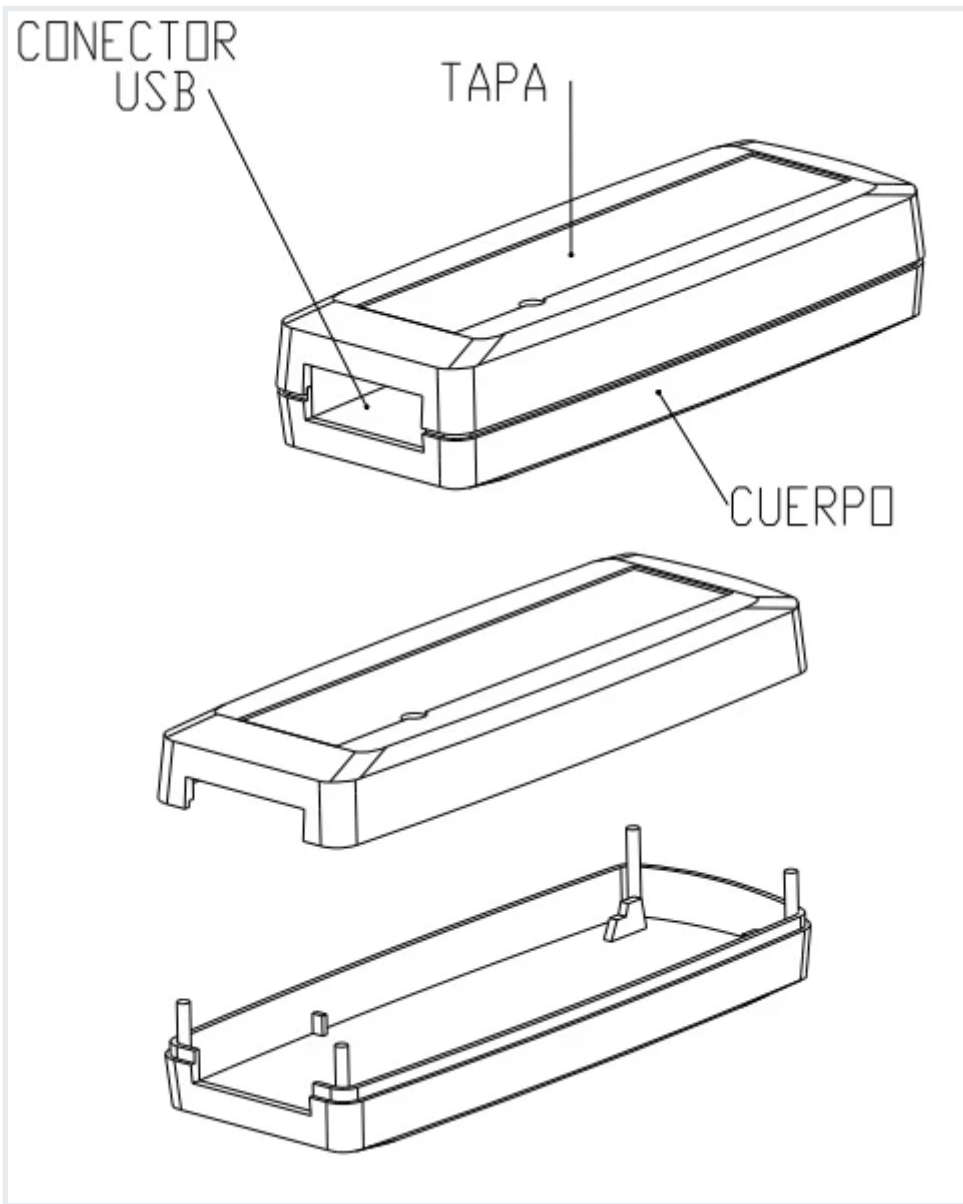


Enclosure dimensions

Compact USB Enclosure

55.4 x 20.3 x 11.85

Units: mm



Additional notes

Related information and links

[Ordering information](#)

[Accessories](#)

[Similar products](#)

Products family sample photo



<https://redisage.com>

DISCLAIMER NOTES

ALL PRODUCT, PRODUCT SPECIFICATIONS AND DATA ARE SUBJECT TO CHANGE WITHOUT NOTICE TO IMPROVE RELIABILITY, FUNCTION OR DESIGN OR OTHERWISE.

Datasheet-ID:

SR-D

Contact Us

- [Main web page](#)
- [Facebook](#)
- E-mail:
online@redisage.com
- Phone number:
+48 71 70 00 140
- Address:
NSG 4L Sp. z o.o.
ul. Trzy Lipy 3B
80-172 Gdańsk
(POLSKA)
- [More information](#)