


# Data Sheets

- [USB FTDI Converters Data Sheet](#)
- [USB FTDI ESP32 Programmer Data Sheet](#)

# USB FTDI Converters Data Sheet

## USB RS232 RS485 Converters (C37 & C38)

<p><b>C37(EX) C38(EX)</b></p> 	<p><b>Features</b></p> <ul style="list-style-type: none"> <li>• USB to UART or RS232/RS485 converter</li> <li>• ESD protection for the RS485 data line</li> <li>• Transmission speed up to 115200 bps</li> <li>• Tx, Rx and power LED indicators</li> <li>• Operating temperatures: -40°C to +75°C</li> <li>• Compact size</li> <li>• Dimensions: 55.4x20.3x11.85 mm</li> <li>• 3 years warranty</li> <li>• Customization of OEM is welcomed</li> </ul>
--	---

## Specifications

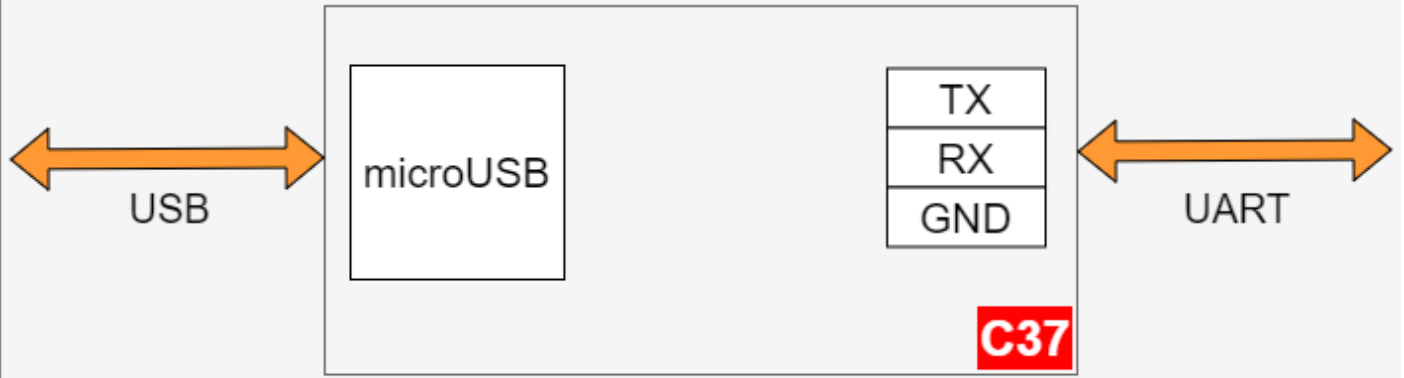
Redisage PN	C37	C38
Ports	UART	RS232/RS485
Expanders	<p><b>C37EX</b> USB-A adapter for UART</p>	<p><b>C38EX</b> DSUB-A adapter for RS232</p>
Power	< 1 W	
Frame ground protection	no	

Redisage PN		C37	C38
Baud rate		up to 115200 bps	
LED indicators		communication Tx, Rx and power	
RS485 termination		120 ohm Manually Enabled	
Connector	RS232/UART	3-pin terminal block max. 2.5 mm <sup>2</sup> wire	
	RS485	N/A	2-pin terminal block max. 2.5 mm <sup>2</sup> wire
Transmission distance	RS232/UART	max. 15 m at 115.2 kbps	
	RS485	N/A	max. 1,200 m at 9.6 kbps; max. 400 m at 115.2 kbps (Belden 9841 2P twisted-pair cable, if different cables are used, the transmission distance may change)
Mounting and enclosure		DIN rail, plastic PA - UL 94 V0, black/green	
Temperatures		-40°C to +75°C operating and storage	
Humidity		10 - 90% RH, non-condensing	
ESD protection		±4 kV contact discharge / ±8 kV air discharge	
Certification		CE, RoHS	

## Variants

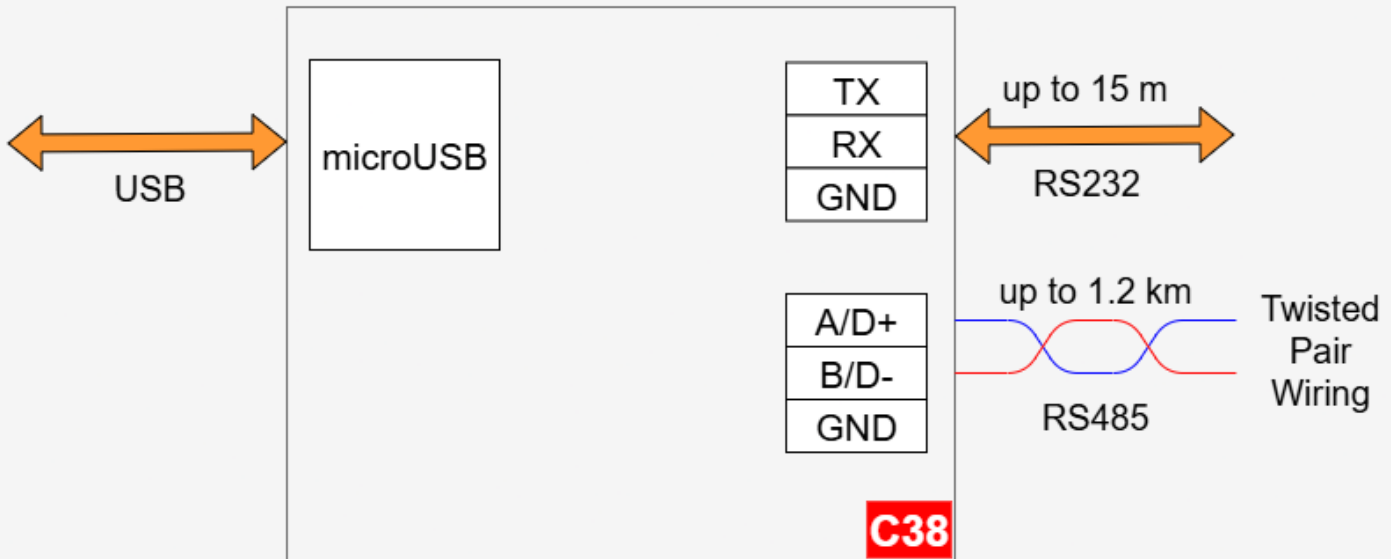
### C37 - UART 3V3 USB FTDI Converter

### C37 UART 3V3 USB FTDI Converter

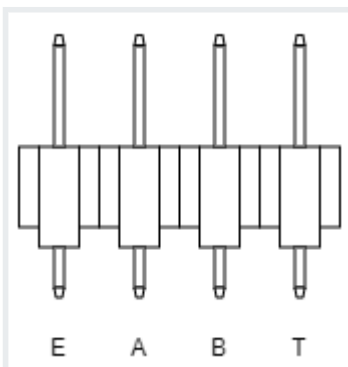


### C38 - RS232/RS485 USB FTDI Converter

#### C38 RS232/RS485 3V3 USB FTDI Converter



## Jumpers



Jumper name	C38 jumpers
<b>E</b>	Echo Disable
<b>A</b>	Pull Up 523 ohm - A Line (RS485)
<b>B</b>	Pull Down 523 ohm - B Line (RS485)
<b>T</b>	120 ohm Termination

## Pin assignments

Pin No.	C37	C38
1	NC	Tx RS232
2	VCC 3V3	Rx RS232
3	GND	GND
4	Tx UART 3V3	A RS485
5	Rx UART 3V3	B RS485

## Accessories

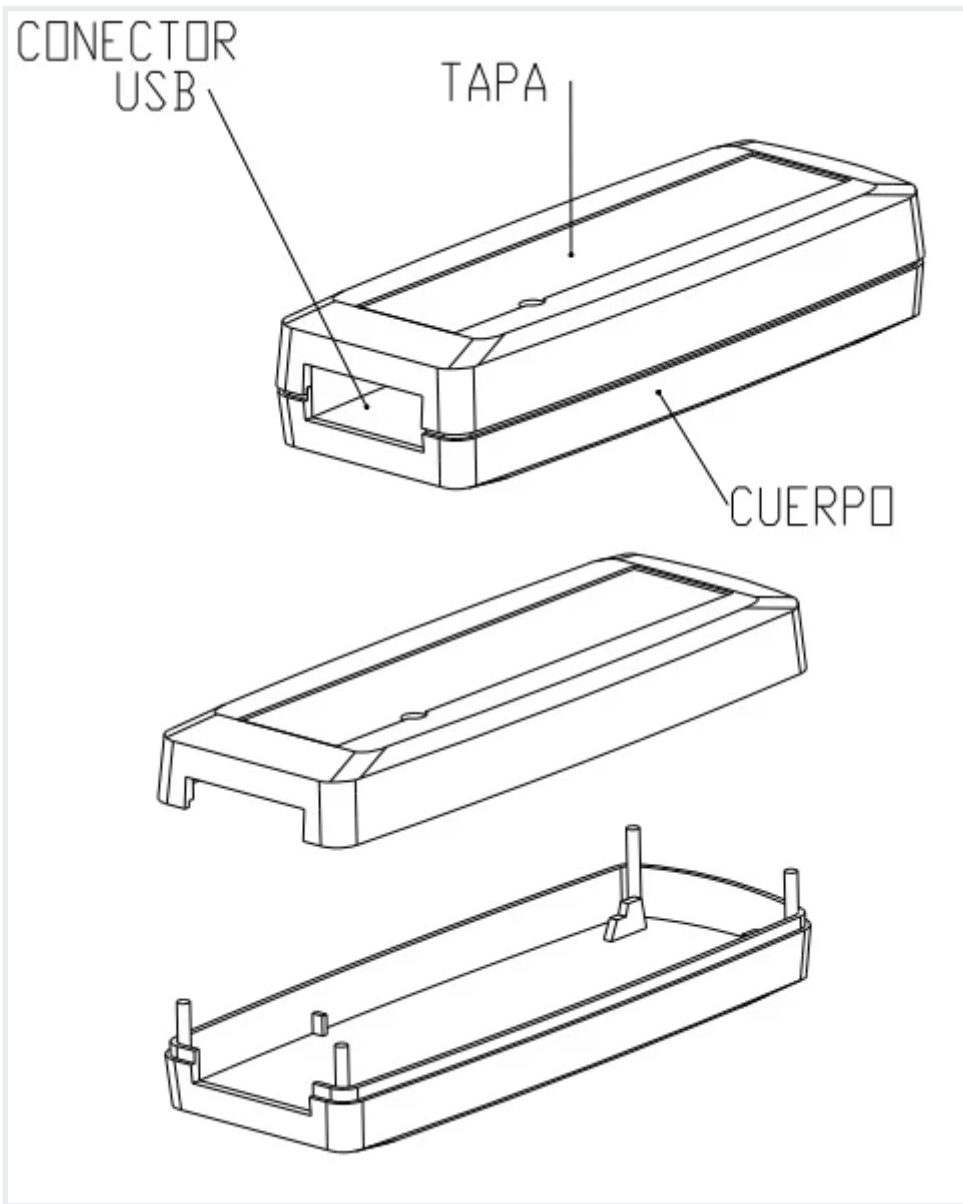
C37(EX)	C38(EX)
	

## Enclosure dimensions

Compact USB Enclosure

55.4 x 20.3 x 11.85

Units: mm



## Additional notes

### Related information and links

[Ordering information](#)

[Accessories](#)

[Similar products](#)

## Products family sample photo



<https://redisage.com>

**DISCLAIMER NOTES**

ALL PRODUCT, PRODUCT SPECIFICATIONS AND DATA ARE SUBJECT TO CHANGE WITHOUT NOTICE TO IMPROVE RELIABILITY, FUNCTION OR DESIGN OR OTHERWISE.

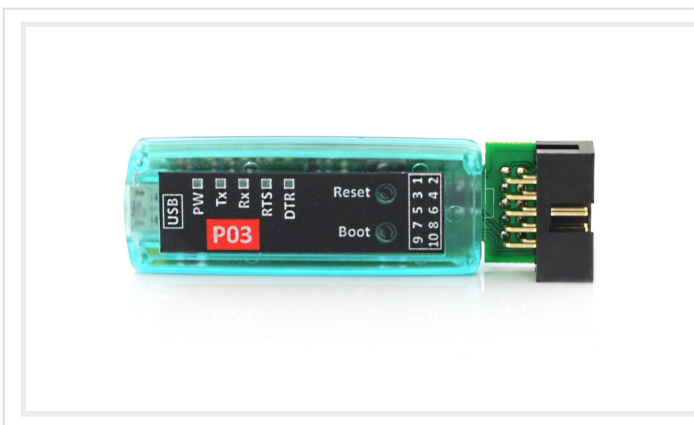
Datasheet-ID:

SR-D

# USB FTDI ESP32 Programmer Data Sheet

## USB RS232 RS485 Converters (P03)

ESP32 USB Programmer for P01 and P02 Open IoT and IIoT Gateways. It can be used to connect a gateway to a PC via a microUSB and a TAG-Connect cable.

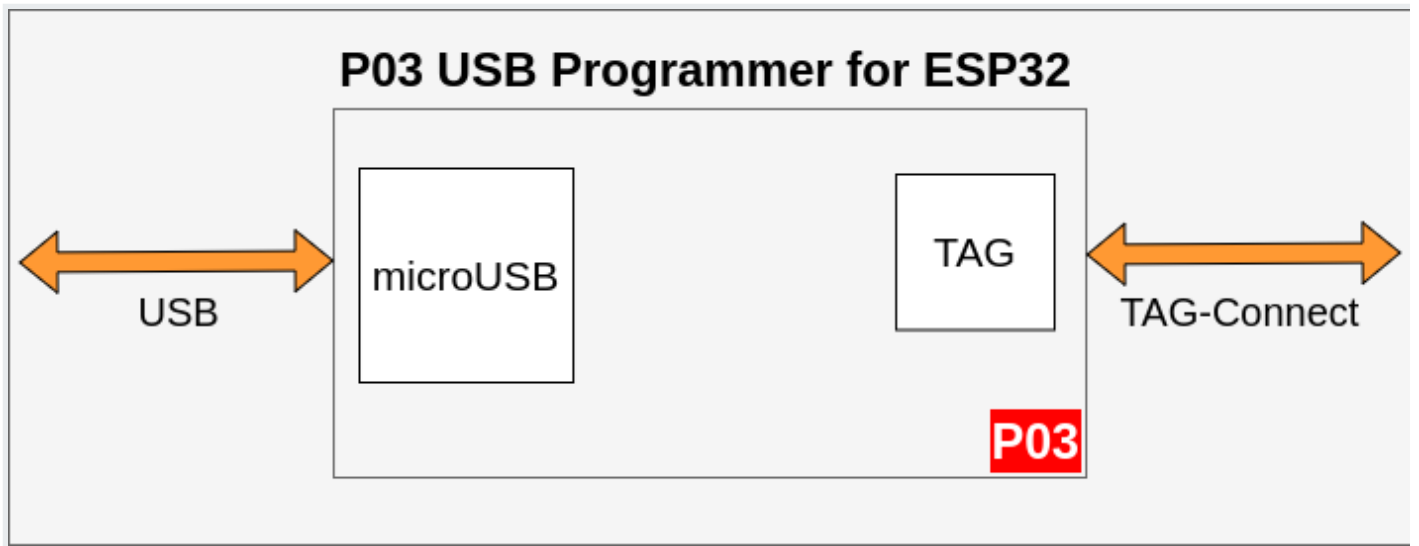


### Features

- USB to TAG-Connect converter
- ESD protection
- Tx, Rx, RTS, DTR and power LED indicators
- Operating temperatures: -40°C to +75°C
- Compact size
- 3 years warranty
- Customization of OEM is welcomed

## Variants

P03 USB Programmer for ESP32

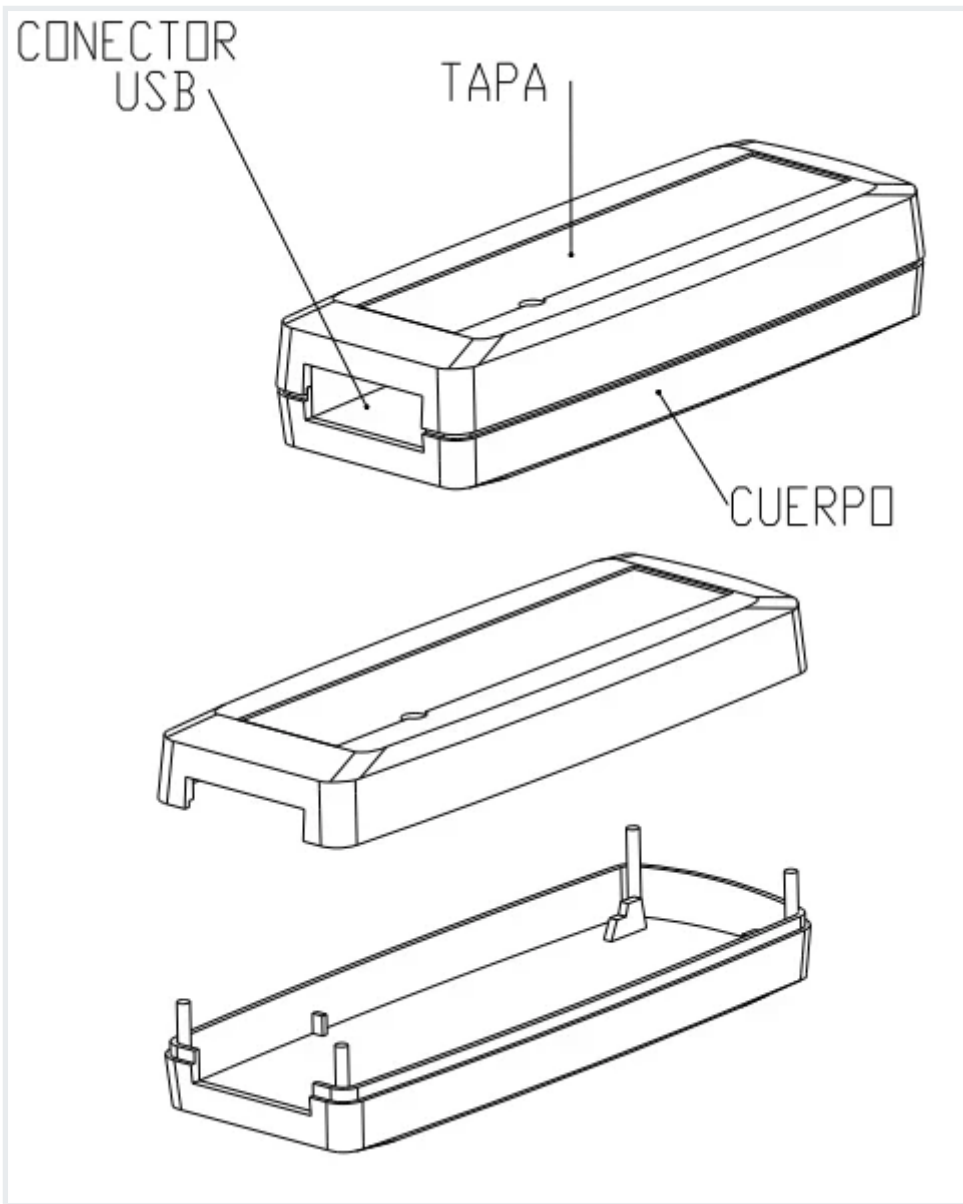


## Enclosure dimensions

Compact USB Enclosure

55.4 x 20.3 x 11.85

Units: mm



## Additional notes

### Related information and links

[Ordering information](#)

[Accessories](#)

[Similar products](#)

## Products family sample photo



<https://redisage.com>

**DISCLAIMER NOTES**

ALL PRODUCT, PRODUCT SPECIFICATIONS AND DATA ARE SUBJECT TO CHANGE WITHOUT NOTICE TO IMPROVE RELIABILITY, FUNCTION OR DESIGN OR OTHERWISE.

Datasheet-ID:

SR-D