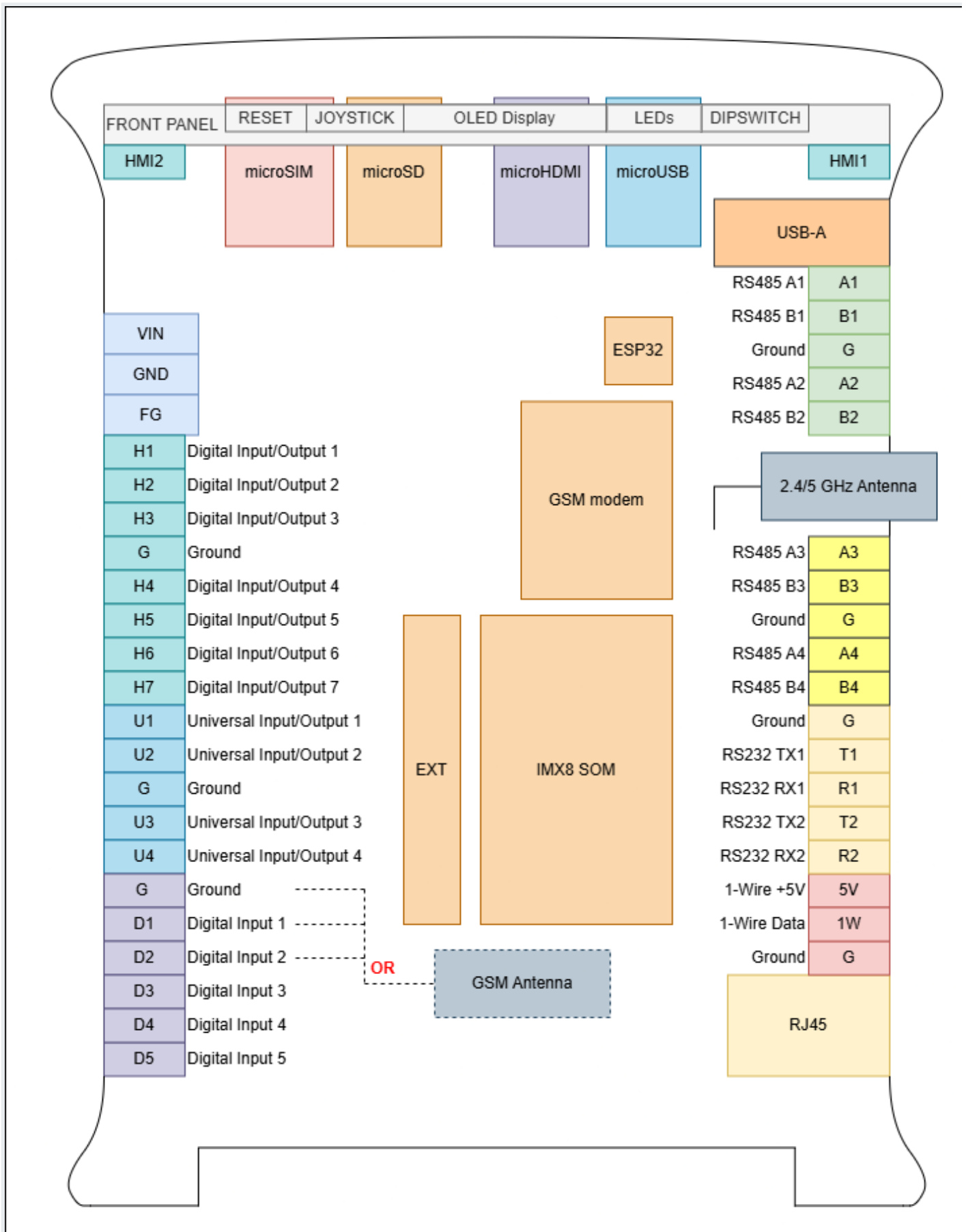
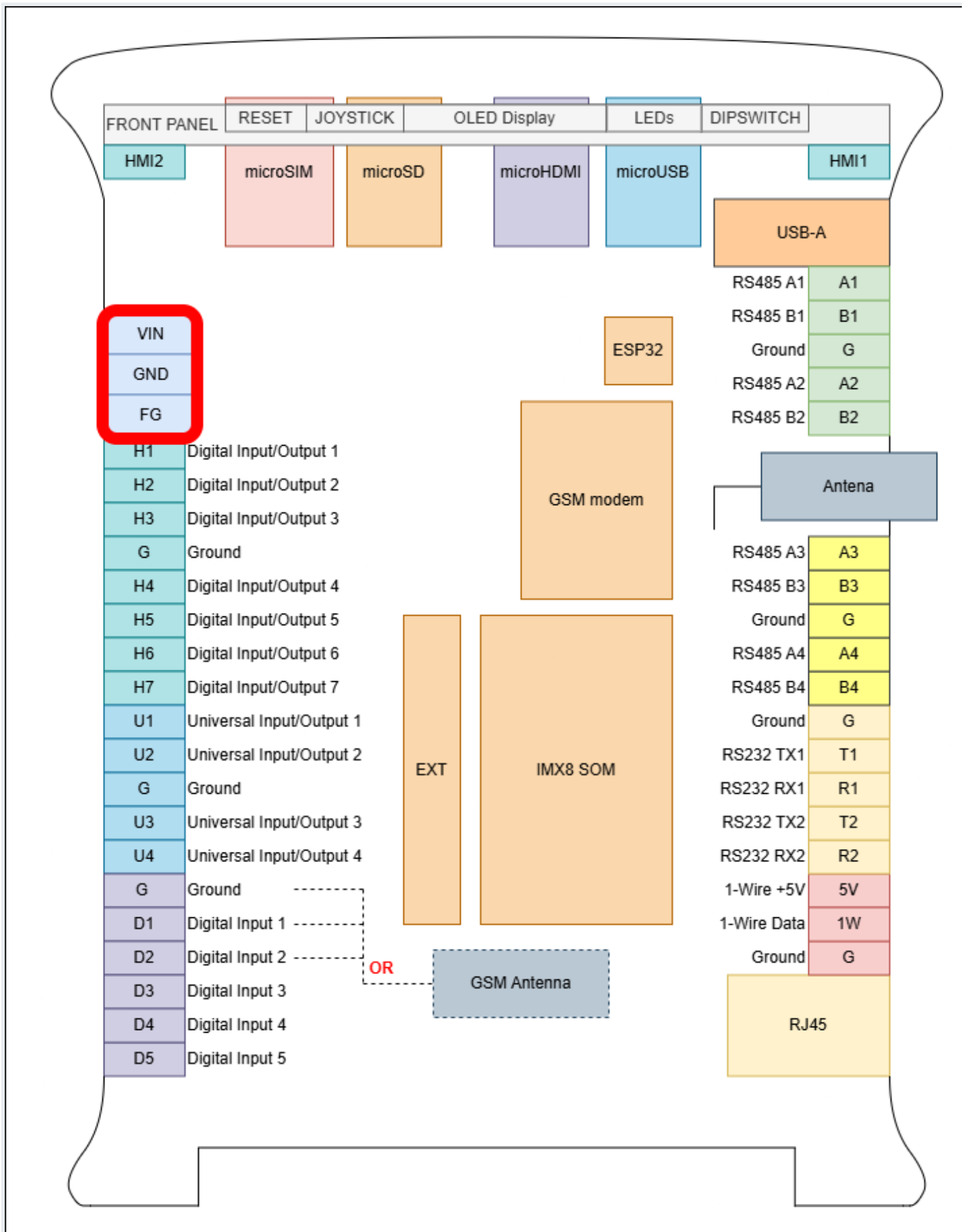


# Drawings

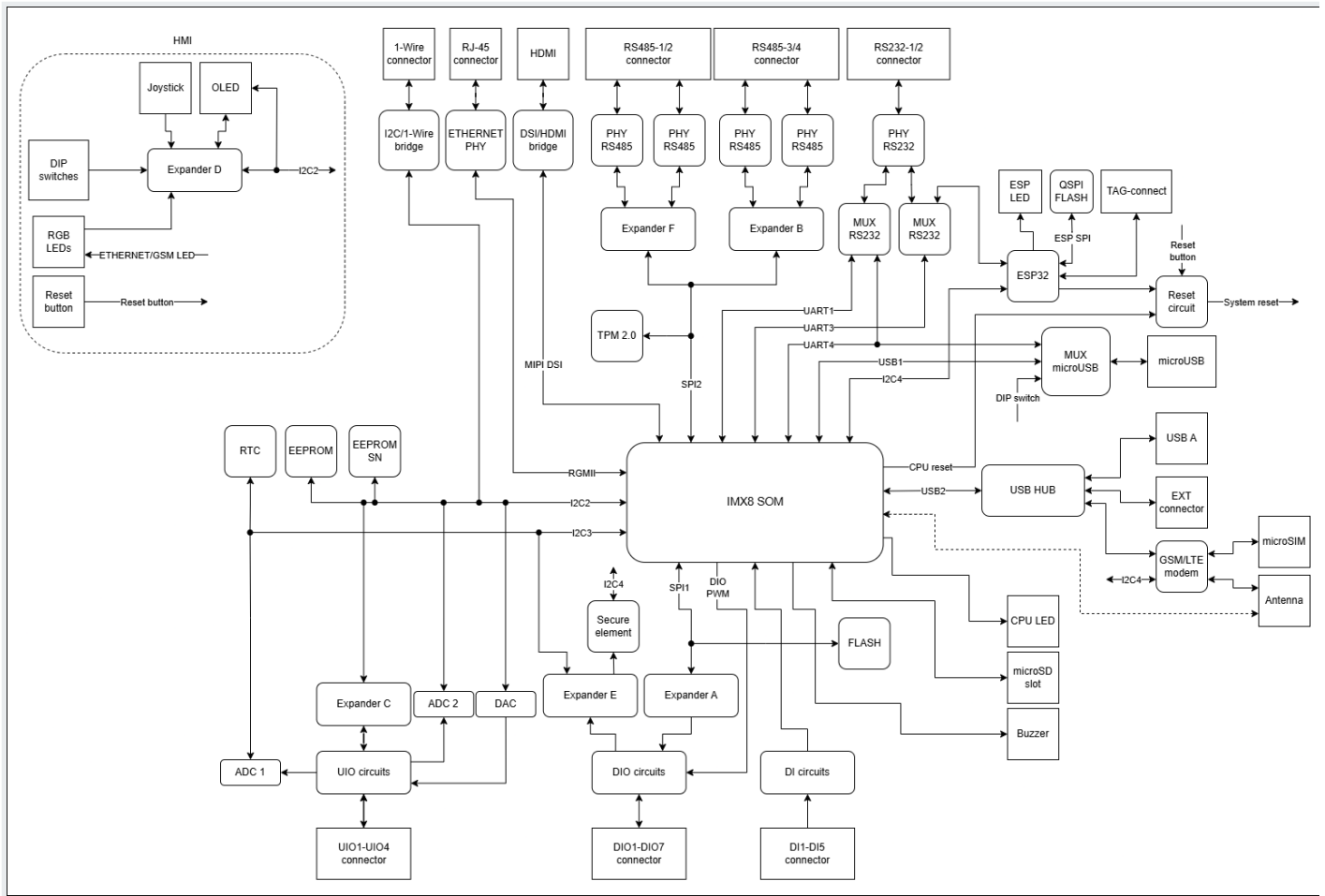
Placement of peripherals



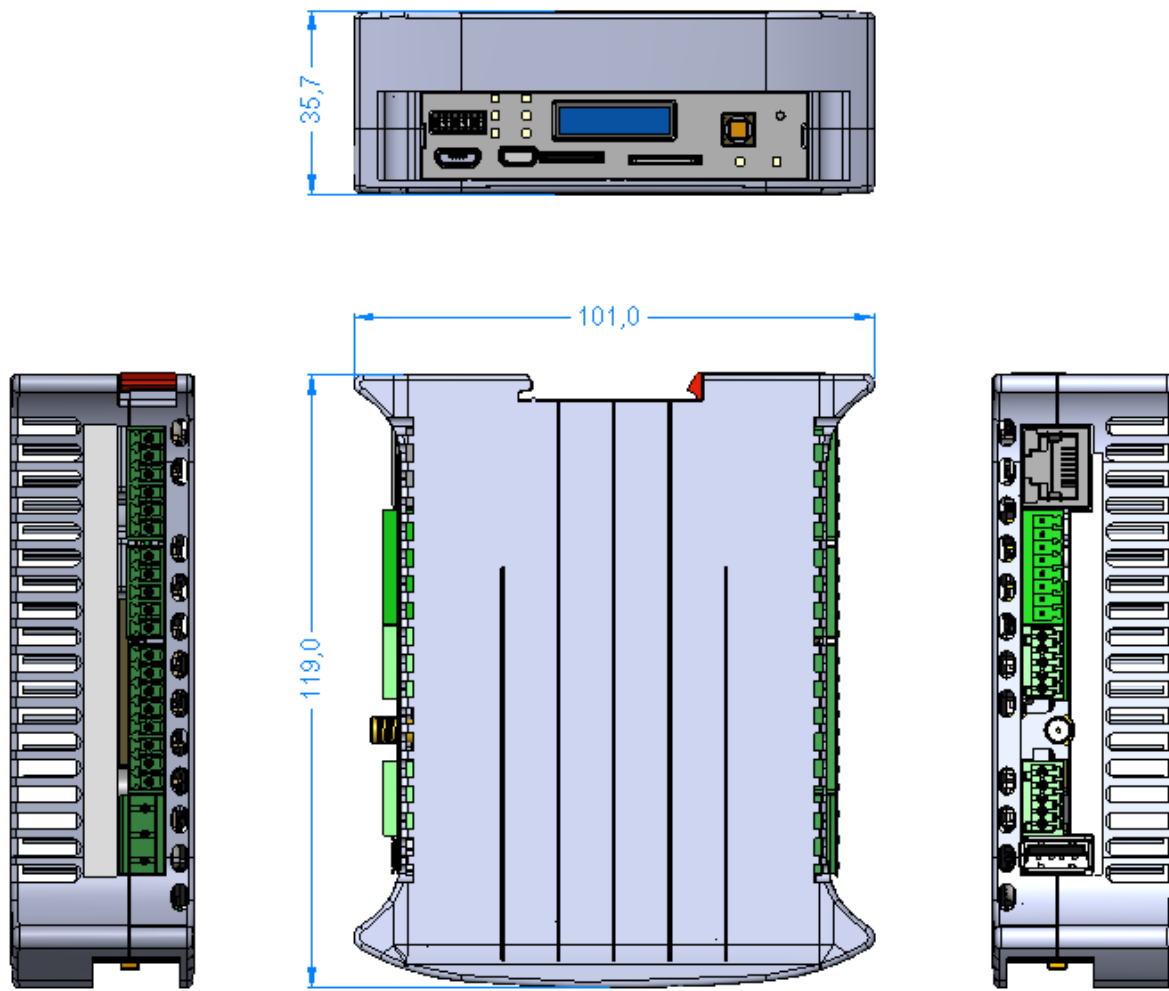
## Power supply



Detailed connections diagram



# Enclosure



Revision #47

Created 2 July 2024 12:41:25 by Jan Górski

Updated 17 March 2026 11:33:09 by Michał Grabski