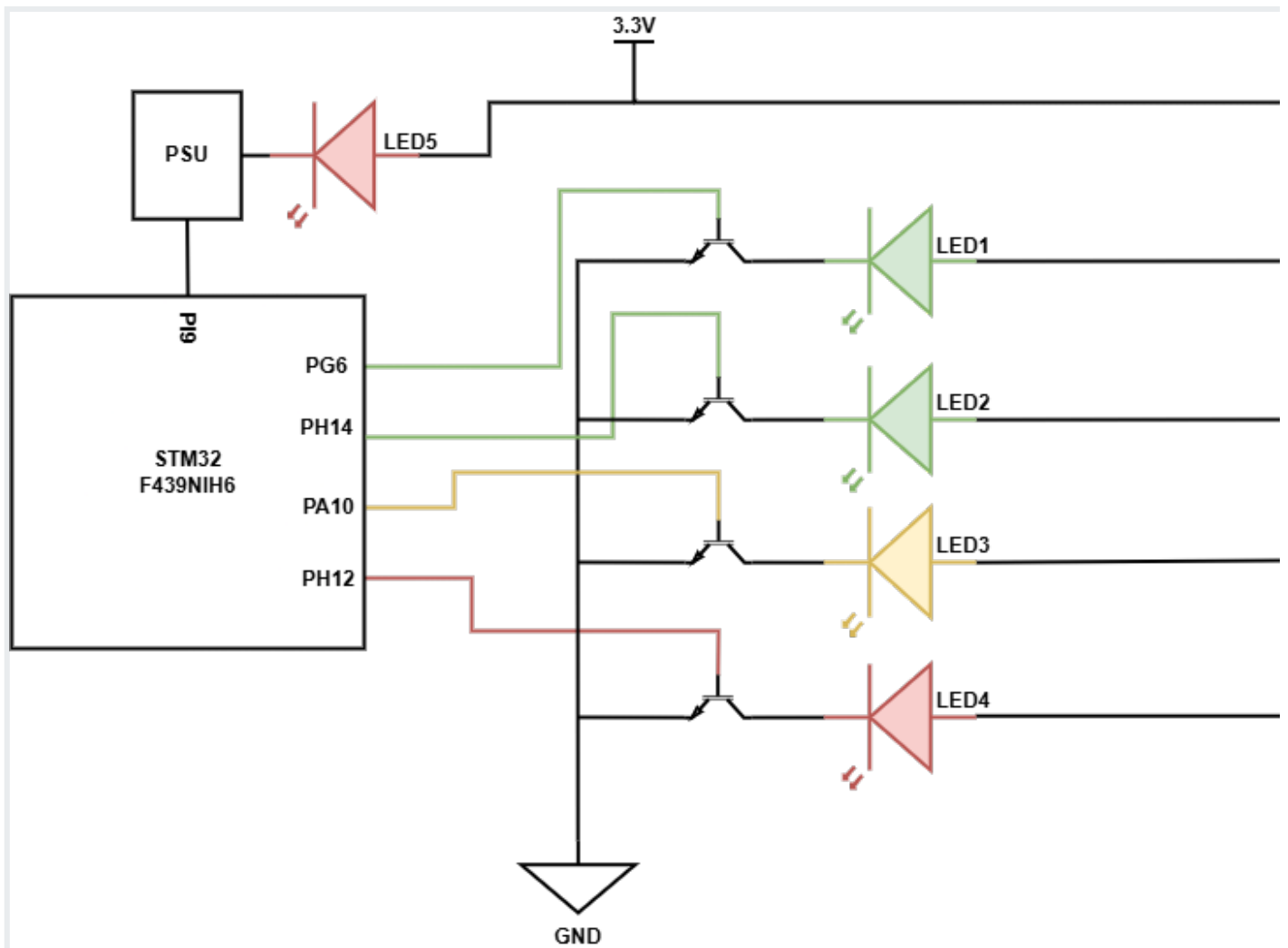


RGB LED

STM32 Open IoT and IIoT Gateways (P10 - P12)

The Gateway is equipped with 5 RGB user LEDs. 4 are mounted directly to the board, and the fifth is next to the not-programmable blue power LED on the PSU board.



Revision #7

Created 20 June 2024 09:47:40 by Jan Górski

Updated 24 January 2025 11:54:41 by Michał Grabski