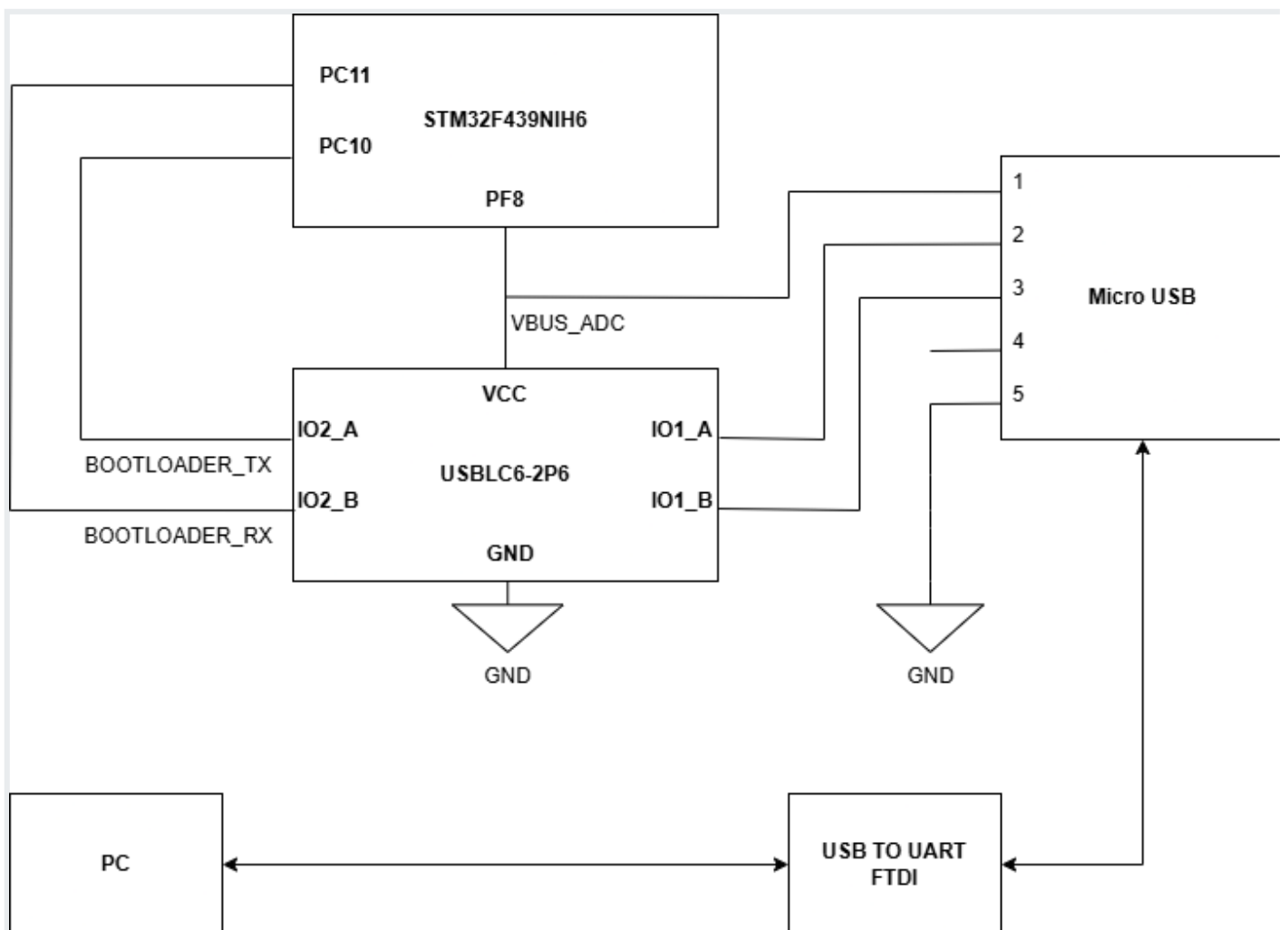


# MicroUSB

## STM32 Open IoT and IIoT Gateways (P10 - P12)

MicroUSB ensures access straight to UART interface (UART4). The Open IoT Gateway does not have inbuilt FTDI converter so an external USB to UART FTDI converter is needed to run a serial port monitor on a PC.



---

Revision #8

Created 20 June 2024 09:47:40

Updated 6 February 2025 12:33:06 by Michał Grabski