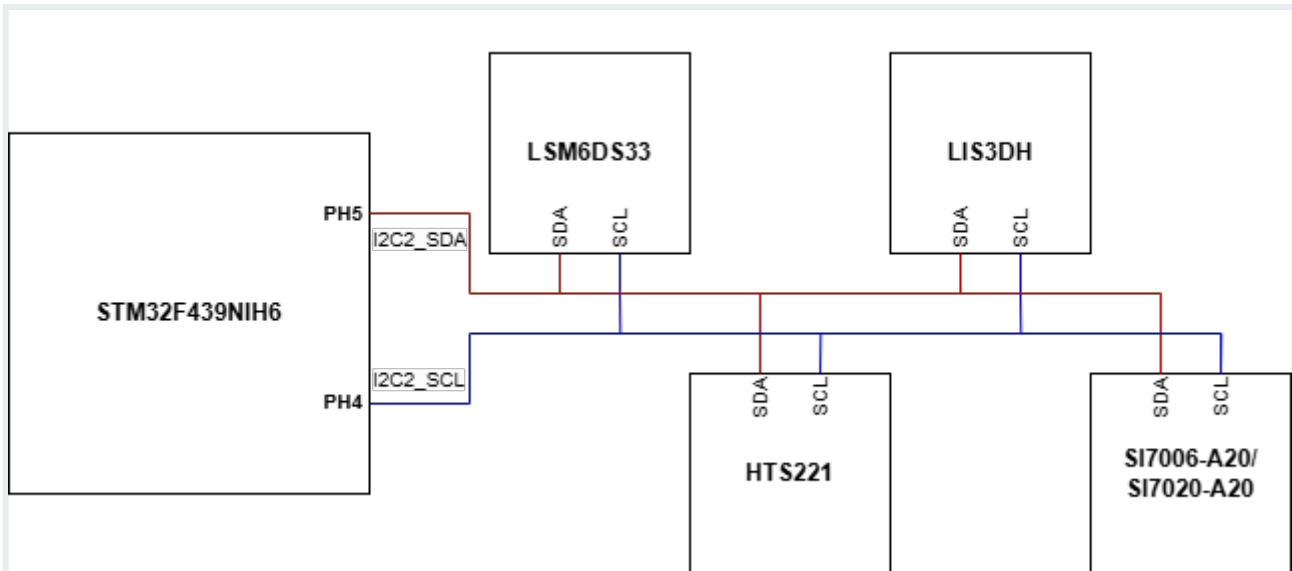


I2C Sensors (optional)

STM32 Open IoT and IIoT Gateways (P10 - P12)

There is a possibility of connecting peripheral I2C sensors. The board has dedicated pins for soldering devices. Below is a proposal for additional sensors that match the hardware.



- LSM6DS33 - 3D accelerometer and 3D gyroscope
- LIS3DH - 3-axis "nano" accelerometer
- HTS221 - capacitive digital sensor for relative humidity and temperature measurements
- SI7006-A20 / SI7020-A20 - humidity and temperature sensor

The presented devices are not included in the Open IoT Gateway.

Revision #6

Created 20 June 2024 09:47:40

Updated 6 February 2025 12:32:17 by Michał Grabski