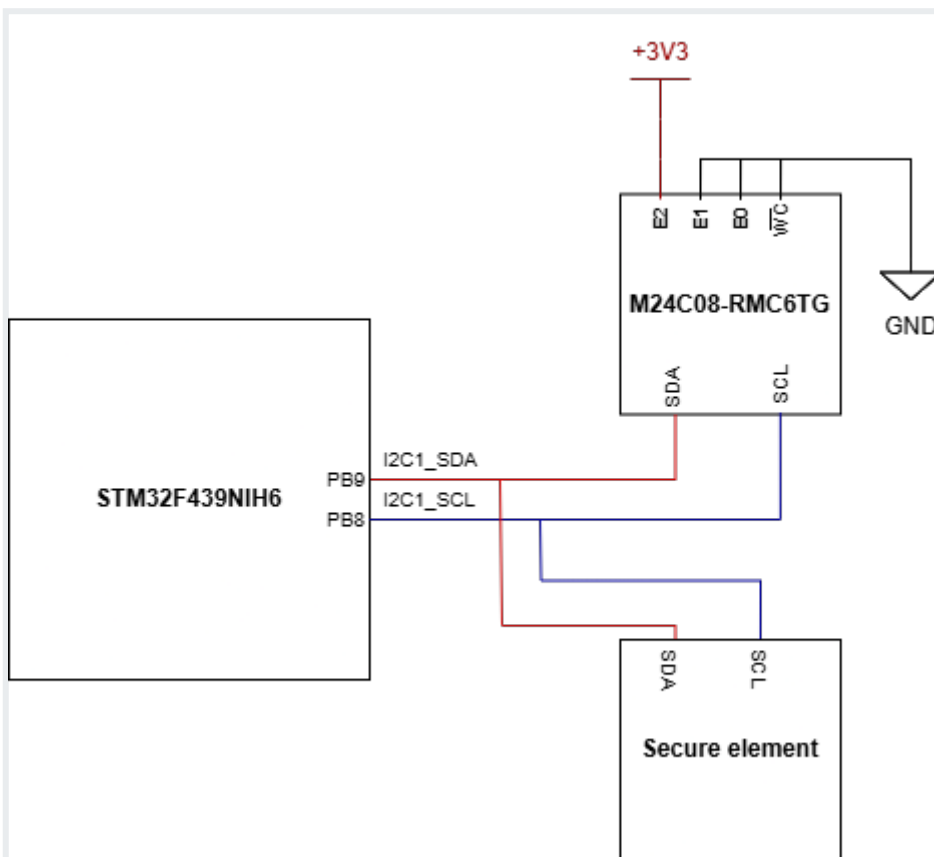


I2C EEPROM

STM32 Open IoT and IIoT Gateways (P10 - P12)

The Open IoT Gateway has a built-in Serial EEPROM with a secure element connected to the STM32 via I2C bus.



Revision #7

Created 20 June 2024 09:47:40

Updated 6 February 2025 12:31:19 by Michał Grabski