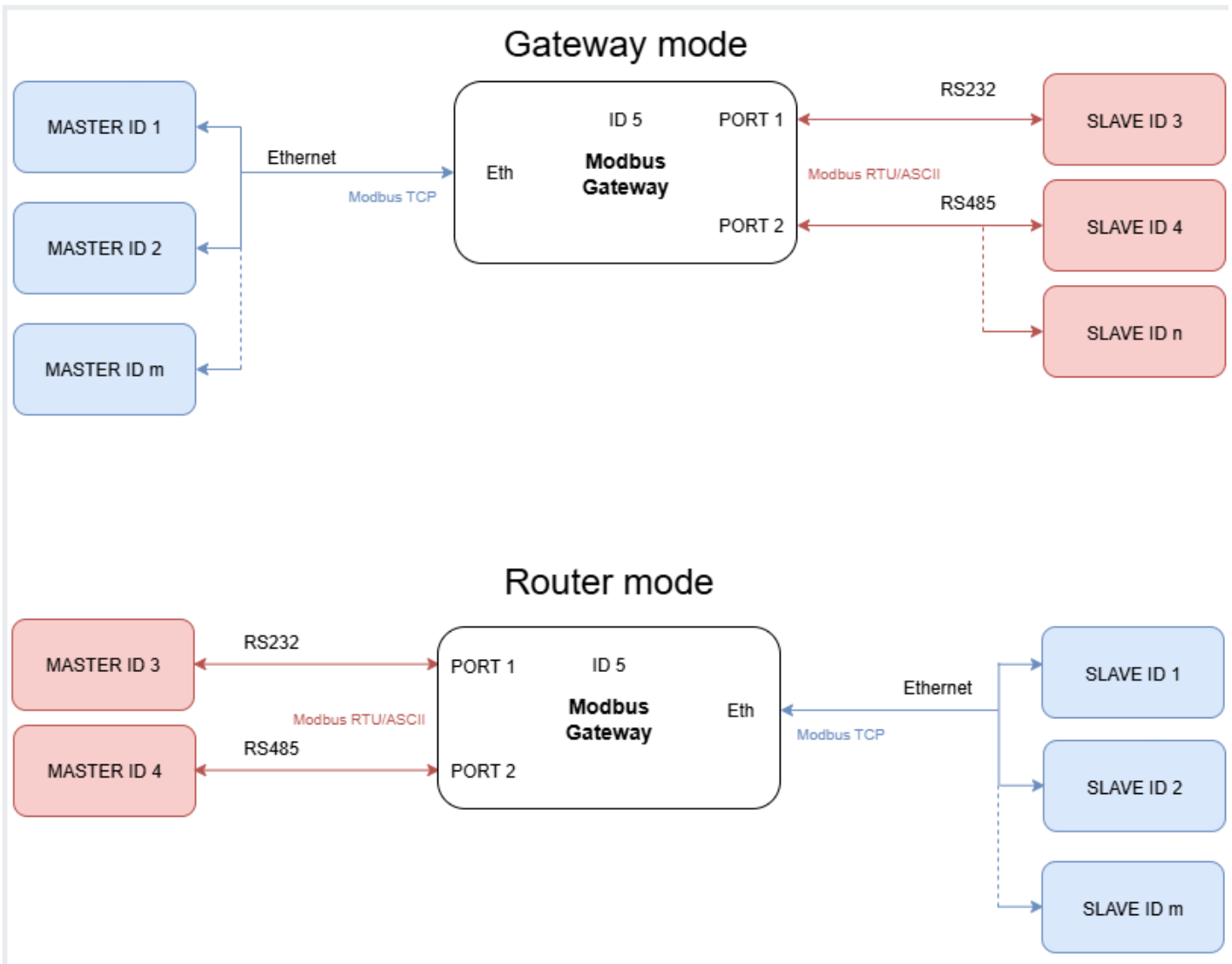


Introduction

Modbus Ethernet Gateways (G01 - G03 & G14 - G16)

Modbus gateways allow data transmission between LAN hosts and serial devices by converting Modbus protocols (Modbus TCP and Modbus RTU/ASCII). They are intended to be used in industrial networks especially in the field of Industry 4.0 but not only. Apart from extending the capabilities of industrial devices, they can be also adapted up to user's requirements and needs.

Transmission is carried out by two modes: Gateway and Router. In the Gateway mode, the port is used to communicate with Slave devices, but in the Router mode with Master devices. It is also possible to set up different modes on every port. Block diagrams below describe how each of these modes works.



The device has max 20 sockets open in Gateway mode and max 8 in Router mode. It is possible to increase this value at client's request.

Revision #6

Created 29 April 2024 14:00:54

Updated 29 July 2025 07:04:15 by Michał Grabski