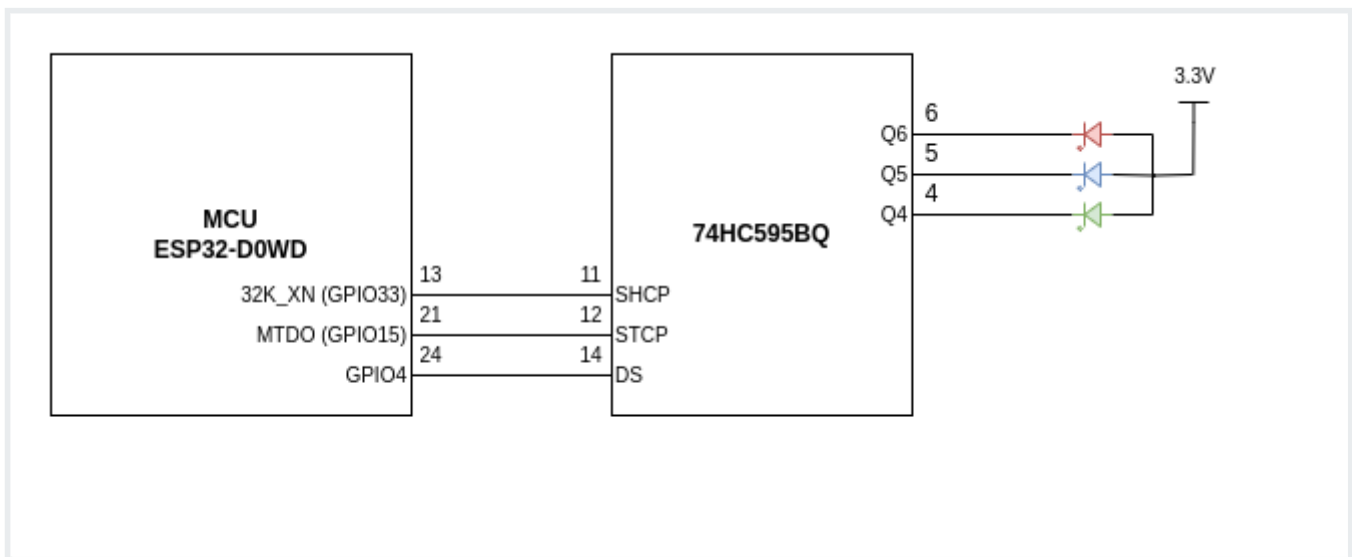


# RGB LED

## ESP32 Open IoT and IIoT Gateways (P01 & P02)



RGB LED is controlled by SIPO shift register 74HC595BQ.

- SHCP - shift register clock input
- STCP - storage register clock input
- DS - serial data input

---

Revision #10

Created 4 April 2024 09:18:07

Updated 26 June 2024 09:20:46