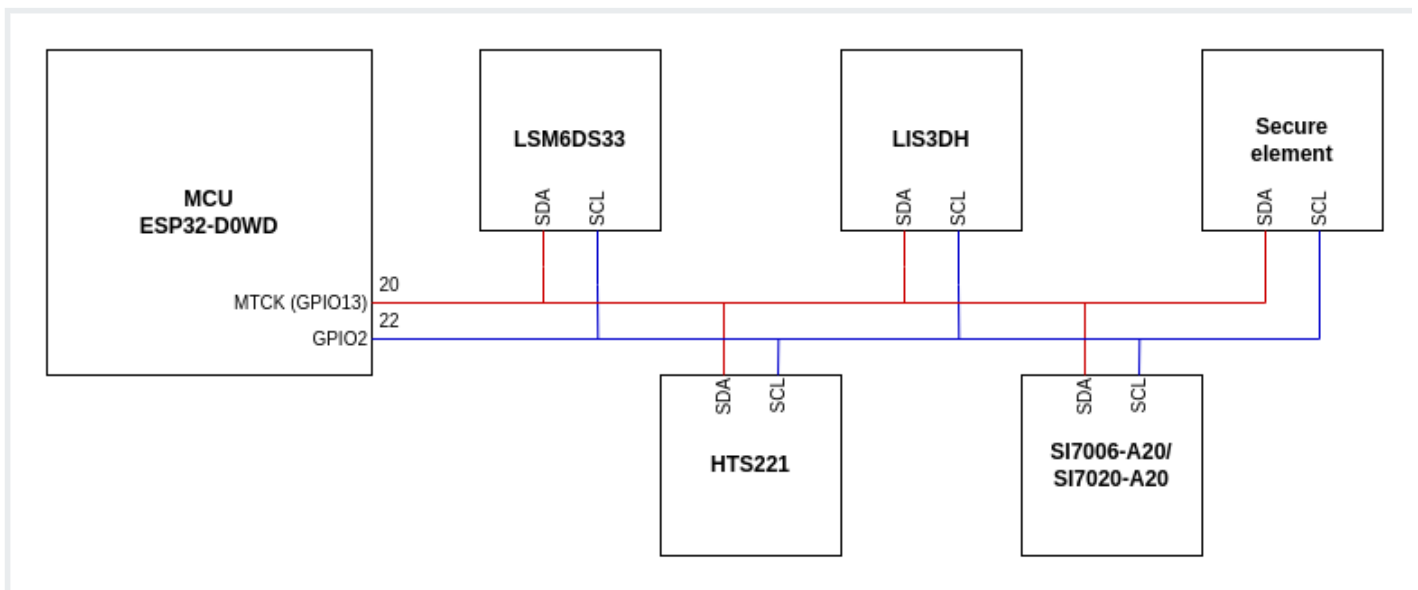


I2C Sensors

ESP32 Open IoT and IIoT Gateways (P01 & P02)



- LSM6DS33 - 3D accelerometer and 3D gyroscope
- LIS3DH - 3-axis "nano" accelerometer
- HTS221 - capacitive digital sensor for relative humidity and temperature measurements
- SI7006-A20 / SI7020-A20 - humidity and temperature sensor
- Secure element

Revision #9

Created 4 April 2024 10:01:56

Updated 26 June 2024 09:20:46