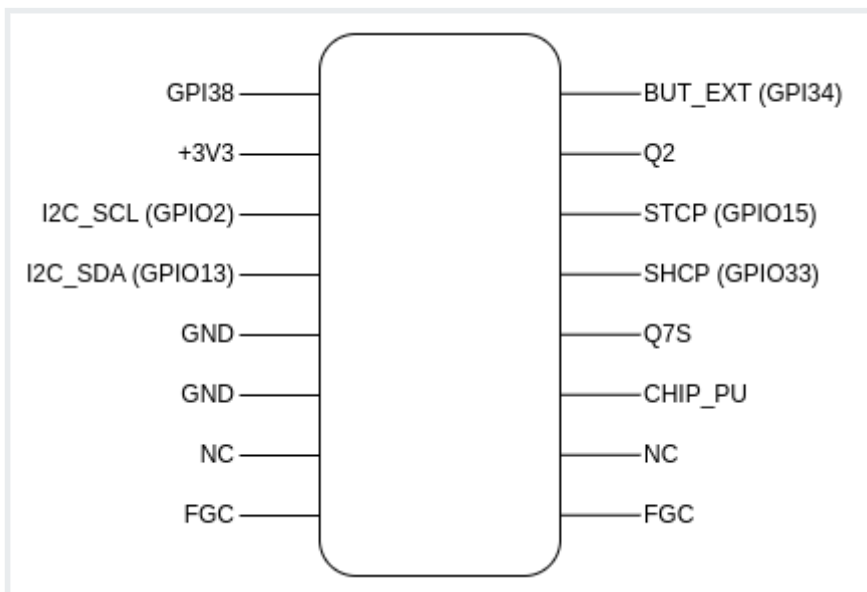


# Expander

## ESP32 Open IoT and IIoT Gateways (P01 & P02)



The female goldpin connector allows easy access to different signals. It might be useful during analysis of the board.

- GPI38 - general purpose input pin, connected directly to the MCU (might work only as an input pin)
- 3V3 - 3.3 V voltage
- I2C\_SCL and I2C\_SDA - main lines of the I2C interface
- GND - ground
- NC - not connected
- FGC - frame ground connection
- BUT\_EXT - switch test line ('1' is set by default)
- Q2 - Q2 pin of the shift register
- STCP - storage register clock input
- SHCP - shift register clock input
- Q7S - serial data output pin of shift register
- CHIP\_PU - chip power up signal ('1' - enables the chip)